

Pulp Stock Valves

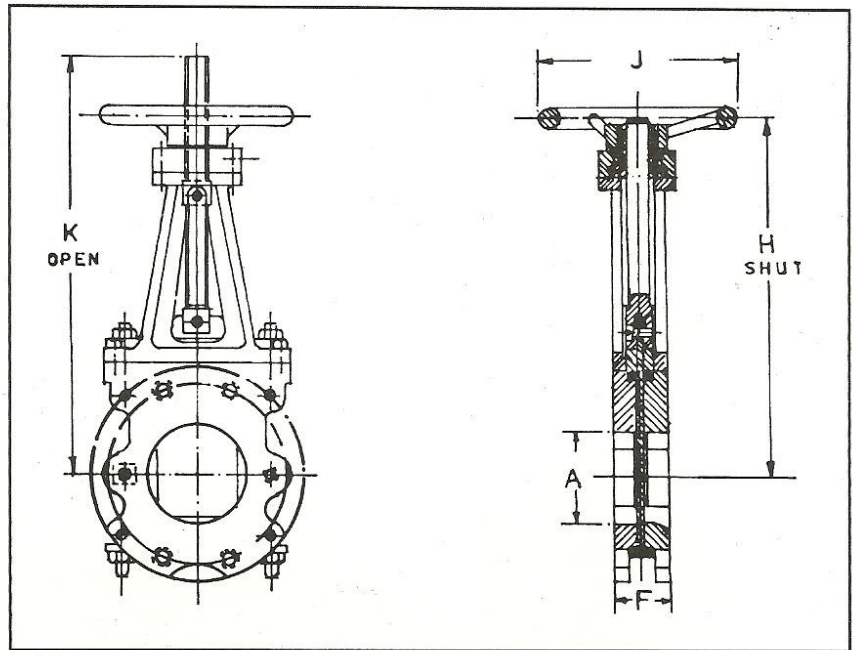
APPLICATION

For handling pulp and fibrous material in Paper, Pulp, Chemical & Sugar Industries.

SALIENT FEATURES OF PULP VALVES

- Body is designed to offer unrestricted flow, of two pieces bolted together on the vertical axis. It is free from pockets or recesses to avoid accumulation of Pulp.
- Gate is provided with sufficient surface contact and has semi circular edges on sides. It is tapered at bottom to avoid lump formation of pulp fibre and thus ensures tight closure. The gate is well secured in the Spindle.
- Sleeve is fitted in the yoke & grease lubrication arrangement for the yoke sleeve is provided.
- The stem of the valve is of the right type provided with ACME threads closely machined for smooth operation.
- A rubber gland with suitable clamping arrangement is provided to eliminate leakage.
- Hinge type scour plate at the bottom allows servicing of the valve without distributing the line.
- Handwheel of sturdy design to offer firm grip for effective operation.
- All Valves are designed to withstand working temperatures upto 120°C.

Materials also available in complete cast steel, All Bronze, CF 12M, CF 8M, CF 6M and Hastalloy 'B' and 'C' Constructions.



MATERIALS OF CONSTRUCTIONS

Constr. No.	Body	Spindle	Gate	H. Wheel Yoke Plate	Yoke Scour Plate	Yoke Sleeve
1.	C I	AISI 410	MS	C I	MS Fab	Gun Metal
2.	C I	AISI 410	AISI 304	C I	MS Fab	Gun Metal
3.	Phosphor Bronze	AISI 410	Phosphor Bronze	C I	MS Fab	Gun Metal
4.	CF12M	AISI 410	CF12M	C I	MS Fab	Gun Metal

Flanges as per BS/DIN, Special Flanges could be considered on request

General Dimensions of Pulp Valves

Note : All dimensions are in mm except otherwise specified in inches

NOMINAL SIZE	A	F	H	J	K	Test Body Kg/cm ²	Pressures Seat Kg/cm ²	APP WT kg
2	50	50	290	175	350	10	6	12
2½	65	50	306	176	370	10	6	13
3	80	50	335	175	420	10	6	15
4	100	50	480	200	585	10	6	18
5	125	50	520	200	650	6	4	25
6	150	50	550	248	710	6	4	30
8	200	55	700	305	910	6	4	41
10	250	70	800	305	1020	4	2	55
12	300	70	860	305	1165	4	2	78
14	350	74	920	430	1280	4	1	110
16	400	74	990	430	1400	2	1	154
20	500	74	1075	430	1580	2	1	215



CALSENS PRIVATE LIMITED

6/1A, British Indian Street, Calcutta 700 069

Phone : 248 2734 & 248 6527, Grams : CALSENS

Fax : (033) 282 5822, 210 4154, E-mail : calsens@vsnl.com

Offices at : Mumbai • Poona • Hyderabad • Chennai • Bangalore • Cochin • Rourkela • Bhubaneswar