



FOOT VALVE

CALSENS FOOT VALVES WITH STRAINERS

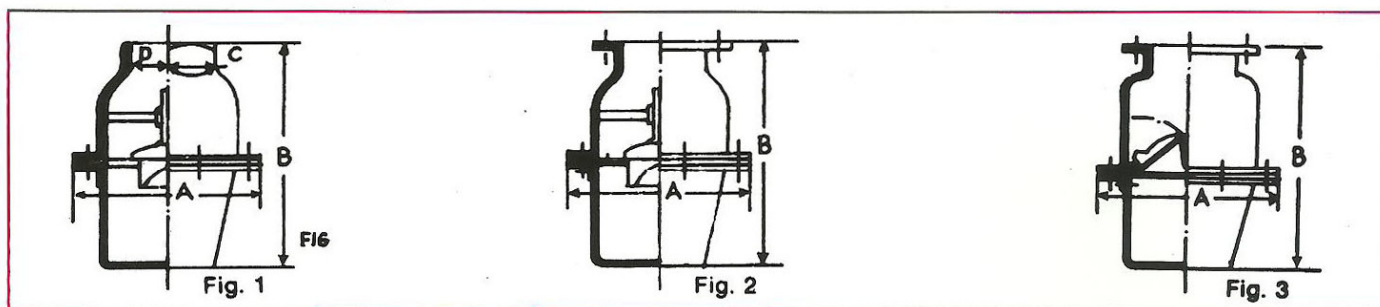
For vertical suction pipelines best quality accessories are required in efficient pumping plants for unrestricted flow of water and minimum friction. Sound design, excellent workmanship and large strainer are of Calsens Foot Valves retain water in pump and suction pipes and stop any foreign body penetrating the pump through suction pipes.

STANDARDS

- 1) IS-4038 – 1967 – 25 mm. To 450 mm.
- 2) Similar to G & K cat. Fig. – H 35 A-32 mm. To 900 mm.
H 38-32 mm. To 600 mm.

MATERIALS & CONSTRUCTION

- 1) Body, Disc, Flap & Lift Guide – Grey Cast Iron conforming to" IS 210/Gr. – FG 200
- 2) Ring – Leaded tin bronze (Rings of Cast Iron, AISI 410 SS Leather, Rubber can be supplied on demand)
- 3) End Connections – Flanged type/Screwed types.
- 4) Flanges – Faced & Drilled to IS 1538/1993 BS. 10 Table D/E. On demand drilling as per DIN/ANS/undrilled possible.
- 5) Strainer – Grey Cast Iron/Mild Steel.



DIMENSIONS FOR FOOT VALVES

(All dimensions are in mm. Unless stated otherwise)

Size Fig.		25	32	40	50	65	80	100	125	150	200	225	250	300	350	400	450
Fig. 1	A	120	140	150	160	220	240	290	340	380	–	–	–	–	–	–	–
	B	90	105	105	124	146	190	248	330	325	–	–	–	–	–	–	–
	C	12	14	14	16	20	22	26	26	26	–	–	–	–	–	–	–
	D	12	14	14	16	20	22	26	26	26	–	–	–	–	–	–	–
Fig. 2	A	–	–	–	200	200	225	270	294	375	580	–	–	–	–	–	–
	B	–	–	–	250	263	275	350	394	450	675	–	–	–	–	–	–
Fig. 3	A	–	–	–	200	200	225	270	294	375	580	580	740	740	800	880	880
	B	–	–	–	250	362	275	350	394	450	645	645	750	750	1000	1115	1115



CALSENS PRIVATE LIMITED

An ISO 9001 : 2000 Registered Firm, 6/1A, British Indian Street, Kolkata 700 069, India.

Phone : (91) (33) 2243 0665, 2248 6527 & 3293 8948, Fax : 91 33 2210 4154

e-mail : calsens@airtelmail.in, Website : www.calsens.com, Offices at : CHENNAI • BHUBANESHWAR